



7228 BM Angular contact ball bearings, single row

- Popular item

Angular contact ball bearings, single row

Bearing data

[Tolerances](#),

Normal (metric), P6, P5, Normal (inch),

[Internal clearance](#),

CA+CB+CC, G,

[Preload](#),

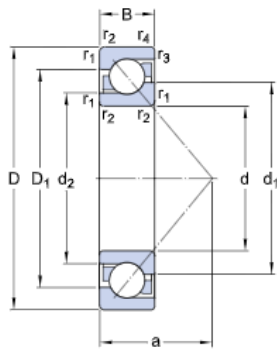
GA+GB+GC

Bearing interfaces

[Seat tolerances for standard conditions](#),

[Tolerances and resultant fit](#)

Technical specification

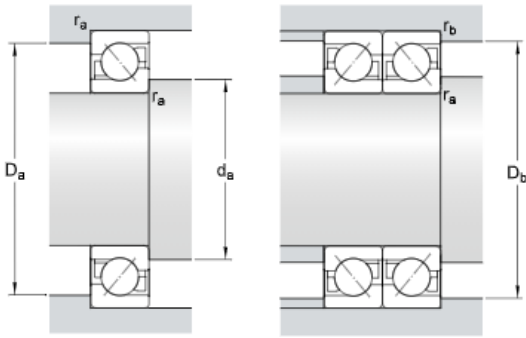


DIMENSIONS

d	140 mm	Bore diameter
D	250 mm	Outside diameter
B	42 mm	Width
d1	≈ 183.3 mm	Shoulder diameter inner ring (large side face)
d2	≈ 163.6 mm	Shoulder diameter inner ring (small side face)
D1	≈ 209.55 mm	Shoulder diameter outer ring (large side face)
a	103 mm	Distance pressure point
r _{1,2}	min. 3 mm	Chamfer dimension
r _{3,4}	min. 1.1 mm	Chamfer dimension outer ring small side face

ABUTMENT DIMENSIONS

d _a	min. 154 mm	Abutment diameter shaft
D _c	max. 236 mm	Abutment diameter housing
D _i	max. 243 mm	Abutment diameter housing
r _a	max. 2.5 mm	Fillet radius
r _b	max. 1 mm	Fillet radius



CALCULATION DATA

C	199 kN	Basic dynamic load rating
C ₀	212 kN	Basic static load rating
P _u	6.4 kN	Fatigue load limit
	3 000 r/min	Reference speed
	3 600 r/min	Limiting speed
A	0.763	Calculation factor
k _r	0.08	Calculation factor
e	1.14	Calculation factor

SINGLE BEARING OR BEARING PAIR ARRANGED IN TANDEM

X	0.35	Calculation factor
Y ₀	0.26	Calculation factor
Y ₂	0.57	Calculation factor

BEARING PAIR ARRANGED BACK-TO-BACK OR FACE-TO-FACE

X	0.57	Calculation factor
Y ₀	0.52	Calculation factor
Y ₁	0.55	Calculation factor
Y ₂	0.93	Calculation factor